



## STATE-OF-THE-ART MUD PUMP UNITS.



Complete mud pump unit.

### Tailor-made mud pump units.

Apart from supplying all requisite components for deep drilling rigs, Herrenknecht Vertical also offers a specially-developed Triplex mud pump unit. The company sources these compact high-performance pumps from its cooperation partner, the renowned German pump manufacturer Schäfer&Urbach. Mud pumps, gears and drives are assembled at the Herrenknecht Vertical headquarters in Schwanau, Germany. The mud pump unit is distinguished by its compact and lightweight design.

Unlike conventional mud pumps, Herrenknecht Vertical mud pump units display significant technical advantages.

### Key benefits.

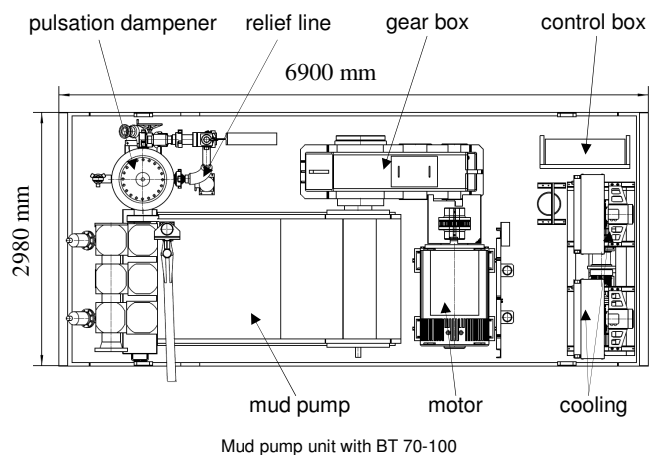
- Ball joint heads are used in the power unit instead of crossheads. Accordingly, no shear forces develop. Both maintenance and the costs associated with servicing are reduced.
- The use of a four-fold mounted crankshaft and the elimination of an internal pinion shaft allows us to grant an extended guarantee period for the power unit.
- A dumping chamber prevents the water/mud and gear oil from intermixing; which means less servicing and greater environmental protection.

### Scope of supply.

The scope of supply for the mud pump unit will be adapted to project-specific requirements.

### Basic features.

- Mud pump
- Gearbox
- Electric motor
- Lube circuit
- Cooling circuit
- Liner flush system
- Oilfield skid



### Optional features.

- Noise protection
- Charge pump
- Hydraulic quick release for valve covers and liners
- Relief line with safety valve
- High pressure manifolds
- Jib crane
- Variable frequency drive
- Suction manifold



Please visit us at the trade fair bauma,  
19-25 April 2010, Hall C3, Stand N°  
315/512 in Munich, Germany.



And at the trade fair OTC,  
3-6 May 2010, Stand N° 452  
in Houston, Texas, USA.

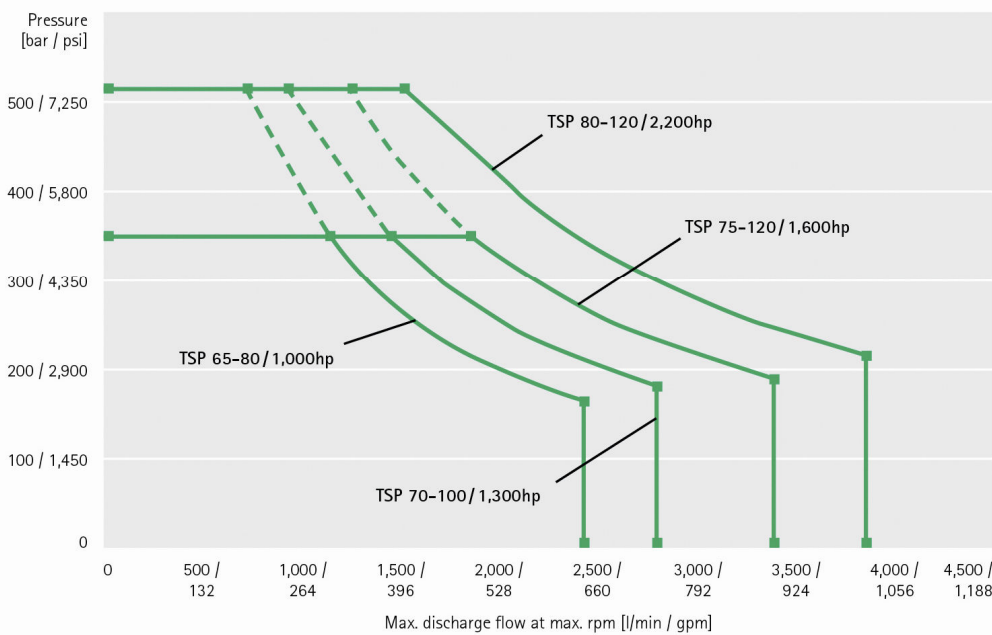
# VERTICAL NEWS

04/2010



## MUD PUMP FLOW CHART.

CHARACTERISTIC DIAGRAM



### MUD PUMP UNIT TSP SERIES

	TSP 65-80	TSP 70-100	TSP 75-120	TSP 80-120
Max. input power (based on 90% mechanical efficiency)	800kW (1,000hp)	1,000kW (1,300hp)	1,200kW (1,600hp)	1,600kW (2,200hp)
Max. operating pressure standard	5,000psi	5,000psi	5,000psi	7,500psi
Max. operating pressure optional	7,500psi	7,500psi	7,500psi	-
Max. discharge flow (based on 100% volumetric efficiency)	2,428l/min [640gpm]	2,793l/min [740gpm]	3,390l/min [895gpm]	3,857l/min [1,019gpm]
Weight in basic configuration approx.	27,000kg	32,000kg	38,000kg	45,000kg

For further information please contact  
berblinger.sebastian@vertical-herrenknecht.de

HERRENKNECHT Vertical GmbH  
Im Heidenwinkel 5  
D-77963 Schwanau  
Tel. + 49 7824 302 130  
Fax + 49 7824 302 133  
info@vertical-herrenknecht.de

www.herrenknecht-vertical.de



READ IN THE NEXT ISSUE:  
HERRENKNECHT VERTICAL GOES OFFSHORE